

McCormick
INTERNATIONAL



276



McCormick International bring you the 276 Tractor with all the well proven design points of earlier machines plus big extra features to make your work faster and easier. The 276 is powered by the 37½ horsepower diesel engine with ample torque for tough conditions. All weather electric starting gives you first time every time. The 276 has eight forward speeds to give you just the speed you want for any job from slow, careful inter-row cultivation through the tougher draft jobs to road work. And you've a choice of two reverse gears. Big Disc brakes can be operated independently to make tight turns or locked together for road work, with a hand operated brake pedal locking lever for safer parking. These are just a few of the features that make the 276 today's best value in small tractors.

Maximum Profitability from Top Performance—that's the 276

IH Vary Touch—Power at your Fingertips

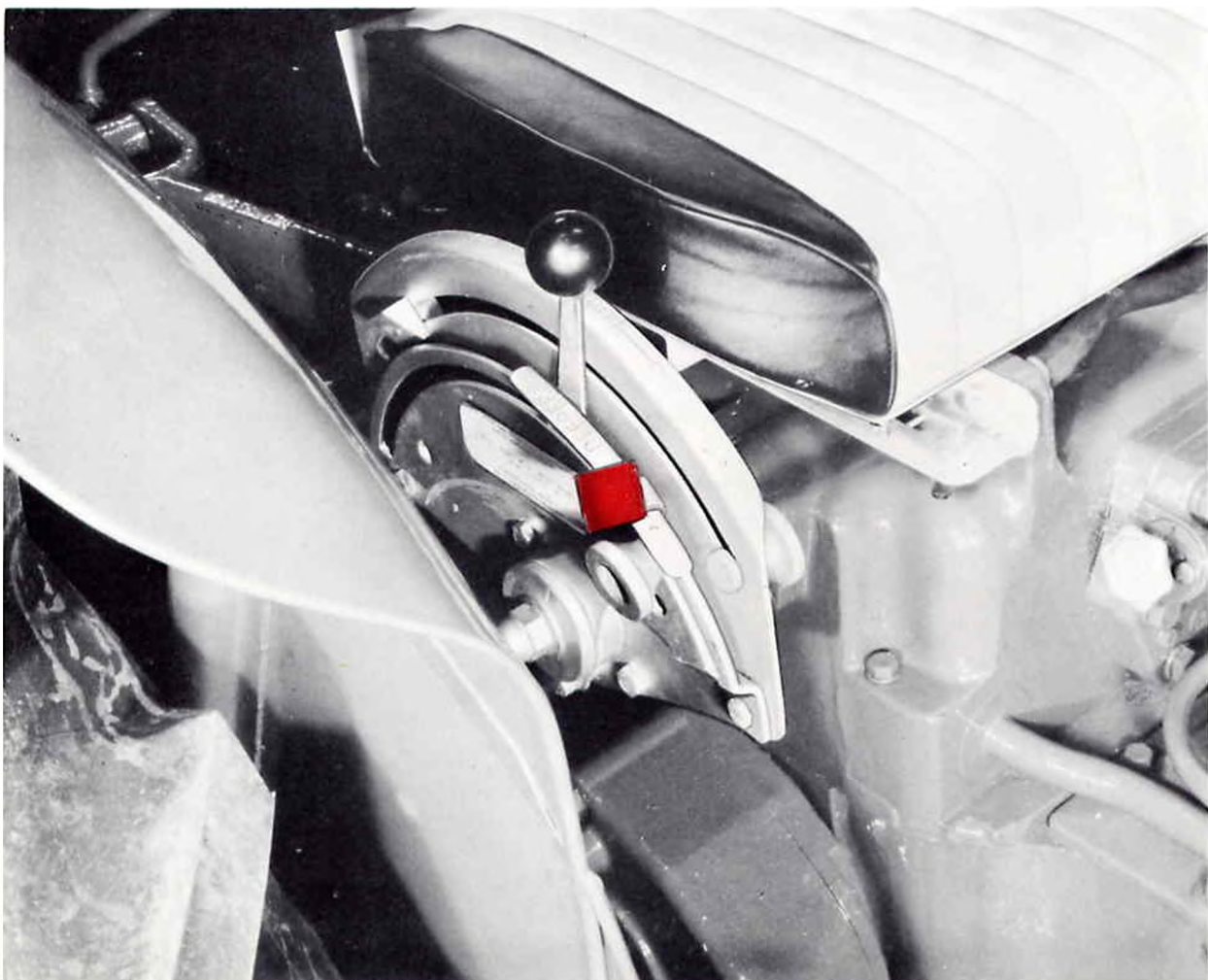
Vary Touch hydraulics give you full control over the working setting of your implements – Automatically.

Set the height of above-ground implements and you can return to this position time after time, accurately. Automatic self-adjusting draft control for ploughs and cultivators maintains a constant load on the tractor no matter how the soil conditions vary. Weight is transferred from the implement, through the lower links, to the rear wheels of the tractor to give you big tractor performance.

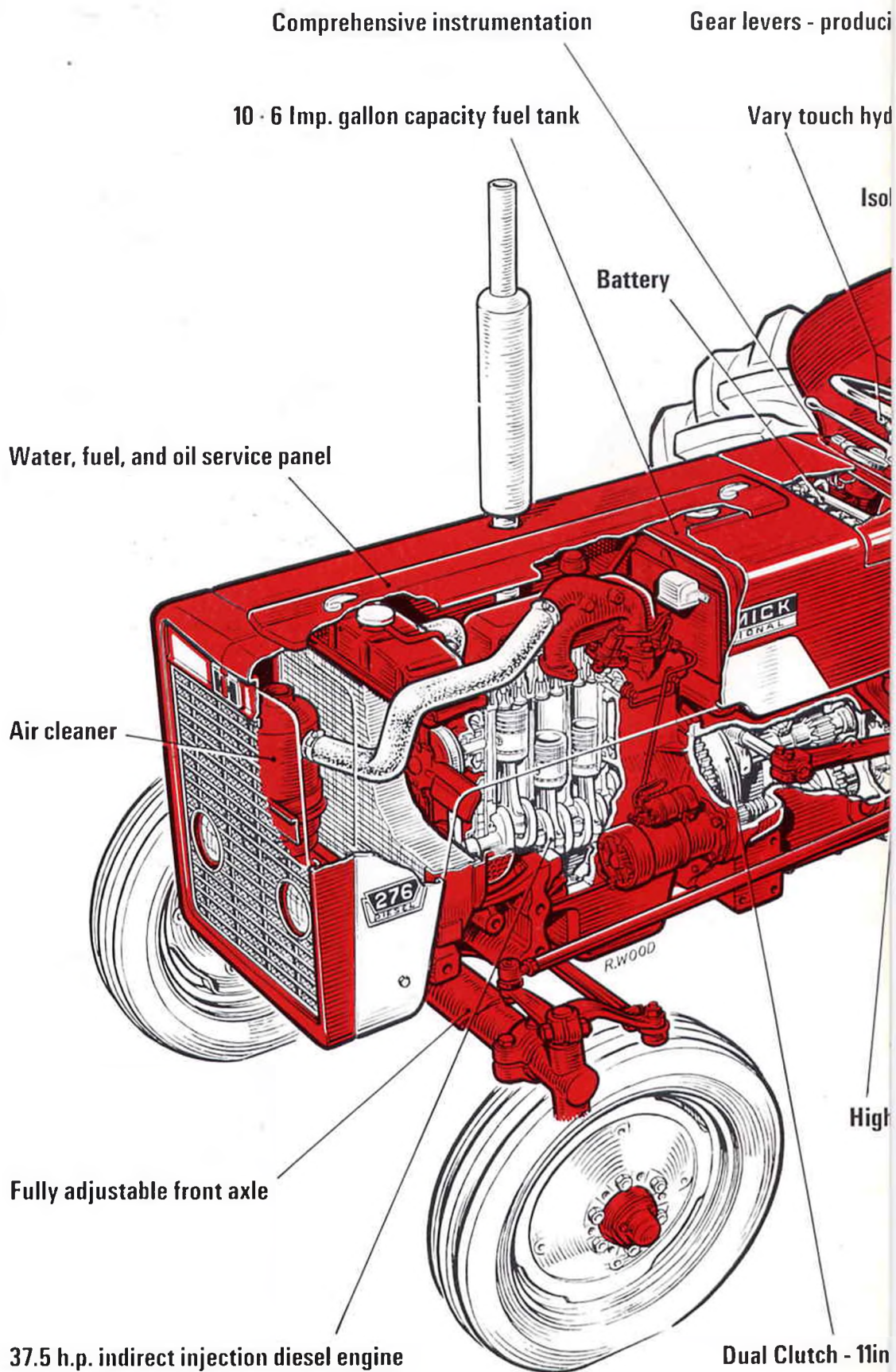
Handy levers transfer your orders into power for position, draft and fast or slow speed control. Speed control sets the rate at which the lower links move to adjust the working depth of the implement and is used in conjunction with draft control.

Hydraulic take-off points are provided for self sealing couplings or single or double-acting auxiliary valves to operate remote cylinders.

Mechanical weight transfer and depth control hydraulics are supplied as standard equipment.



International Harvester m



Comprehensive instrumentation

Gear levers - produci

10 · 6 Imp. gallon capacity fuel tank

Vary touch hyd

Battery

Water, fuel, and oil service panel

Air cleaner

Fully adjustable front axle

37.5 h.p. indirect injection diesel engine

Dual Clutch - 11in

High

276
DIESEL

R. WOOD

INTERNATIONAL

Makes Farming Faster



g 8 forward and 2 reverse speeds

raulics control levers

ator valve

Response control valve

De-luxe adjustable seat

Top link sensing

Reversible lower links - cat 1 and 2

Power take-off lever

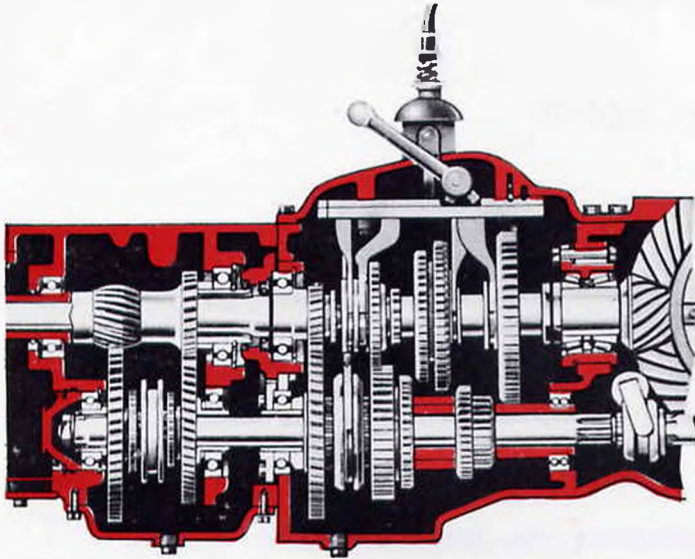
Adjustable check links

efficiency steering (steering gear ratio of 16:1)

6½in disc brakes

engine clutch, 9in p.t.o. clutch

The small Tractor that's Big on Performance



MPH	0.5	1	1.5	2	2.5	3	3.5	4	4.5	5	5.5	6	6.5	7	7.5	8	8.5	9	
GEAR																			
L1																			
L2																			
L3																			
H1																			
H2																			
H3																			
L4																			
H4																			
LR																			
HR																			
KPH	0.8	1.6	2.4	3.2	4	4.8	5.6	6.4	7.2	8	8.8	9.6	10.4	11.2	12	12.8	13.6	14.4	

The 276 gives you a choice of eight forward gears and two reverse selected by two levers conveniently positioned for easy changes. You can choose *exactly* the one best suited to any job on your farm. The excellent gear ratios provide five gears below 5.5 m.p.h. for all field operations. High third is a useful gear for haulage work about the farm, there are two higher gears for roadwork and two reverse gears. At low idle, engine r.p.m. is 550 and at rated engine speed, engine r.p.m. is 1875. A foot operated differential lock is incorporated in the transmission to give added traction when the going is greasy. Cuts wear on tyres and fuel wastage.



The 276, a real stayer, doing a good job pulling the S6-6 combine grain and fertilizer distributor. Ease of handling and built-in operator comfort makes this tractor a pleasure to drive.



The 276 is an ideal match for the famous B.47 baler. Ample p.t.o. power and easy steering makes this a natural combination. straight forward daily maintenance gives you more working hours on the land.

276 Diesel Tractor

FACTS

1. **CHOICE OF HYDRAULIC SYSTEMS.** IH vary touch hydraulic system including position control, draft control, response control and isolating valve, which give you full control over your working implements automatically. Mechanical weight transfer and depth control hydraulics are supplied as standard equipment.

2. **POWER TAKE OFF.** Transmission p.t.o., single speed constant running p.t.o. and dual speed constant running p.t.o. are all available to make the 276 a versatile and adaptable tractor. There's over 32 horsepower available to operate mowers, balers, combines, forage harvesters and other p.t.o. driven implements.

3. **OPERATOR COMFORT.** The driver is well catered for. He's got plenty of room to mount the platform, a comfortable adjustable seat, ample room around him and a convenient and easy to read instrument panel.

4. **SIMPLIFIED MAINTENANCE.** Points needing daily attention are all easily accessible. The battery is under cover in front of the instrument panel, the air cleaner behind the front grille, and the oil, fuel and water fillers are under the hood access cover. You can carry out your day to day checks in minutes.

5. **EASE OF STEERING.** New lighter than ever steering cuts operator fatigue and makes handling easy. A tight turning circle eases work in confined spaces. The steering is of the drop arm and drag link type and the cam and lever steering box has been designed with a 16:1 gear ratio to give positive but effortless steering.

6. **MODERN DESIGN.** Besides building a medium tractor with big performance, IH has made the 276 look good too. The smart modern lines fit in with the other members of the IH tractor range.

7. **OPTIONAL AXLE AND TYRE EQUIPMENT.** Adjustable front axles, fixed rear and heavy duty rear axles are available with tyre equipment to match including:-

FRONT

4.00 x 19	4 ply
5.50 x 16	4 ply
6.00 x 16	4 or 6 ply

REAR

10 x 28	4 or 6 ply
11 x 28	4 or 6 ply
11 x 32	4 or 6 ply
12 x 28	4 or 6 ply
13 x 24	6 ply
13 x 28	6 ply



YOUR IH DEALER IS :—

10 · 6 Imp. gallon capacity fuel tank

Vary touch hydraulics control levers

Isolator valve

Response control valve

Battery

De-luxe adjustable seat

Top link sensing

Reversible lower links - cat 1 and 2

fuel, and oil service panel

aner

Power take-off lever

Adjustable check links

High efficiency steering (steering gear ratio of 16:1)

6½in disc brakes

adjustable front axle

indirect injection diesel engine

Dual Clutch - 11in engine clutch, 9in p.t.o. clutch

